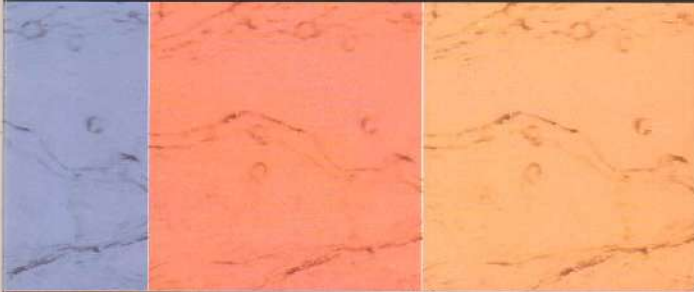


**C** MALLEABLE  
PIPE FITTINGS



*general  
catalogue*



**CRESCENT**

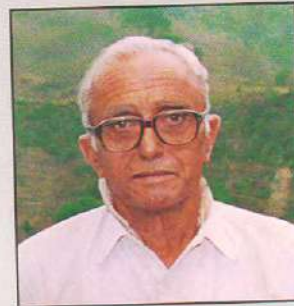


# MALLEABLE PIPE FITTINGS

## OUR FOUNDERS



Late Thakur Ganpat Rai Ji  
Guiding Force



Late Thakur Birbal Das Chauhan  
Moral Support

## OUR GROUP

We are a group of six manufacturing & two trading concerns, started in 1953 with the manufacturing of Industrial Valves under the brand name of "SANT" which earned a very good reputation both in quality of product and services. The group slowly but steadily diversified and started the manufacture of C.I, M.I, G.I pipe fittings, forged pipe fittings and hand tools and sold & established its products successfully both in Indian & foreign markets.

## ABOUT US

M/s Crescent Engineering Corporation was established in 1960. We are one of the leading manufacturers of Malleable Iron Galvanised Pipe Fittings in India. It is very well equipped to produce Malleable Iron Galvanised and black pipe fittings. The factory has the necessary facilities for casting according to IS 14329/1995. Galvanising, threading as per IS-554 and up to date inspection of testing chemical and physical properties is undertaken.

We are having a team of highly qualified and experienced engineers for quality maintenance & consistent research development efforts are made through rigid quality control tests.

'C' Brand ISI Pipe Fittings enjoy a good reputation for its quality and durability all over India & Abroad. It has the unique distinction of being sought after in Government departments, Municipal Corporations and Oil Plants. Our factory is equipped with the most up to date and sophisticated instruments for chemical and physical testing. The quality control is rigidly enforced through out the production process to ensure that the finished products are of the highest possible quality.

'C' Brand ISI Pipe Fittings are dependable beyond doubt. These are also exported to various countries. On account of consistent Quality 'C' Brand ISI marked Pipe Fittings, enjoy a great reputation in International Market with British, International Organisation. Indian and American Standards.



# MALLEABLE PIPE FITTINGS

## PRODUCT DISPLAY



ELBOW



THREE WAY ELBOW



TANK NIPPLE



ELBOW REDUCING



SOCKET REDUCING



UNION



TEE REDUCING



CROSS



TEE



SOCKET



HEX NIPPLE





# MALLEABLE PIPE FITTINGS

## SPECIFICATIONS

Made of high grade Black hearts malleable Iron & Galvanised for common use on Steam, Air, Water, Oil and other piping installations with the working pressure upto 300 pounds per sq. inch and Hydraulically 20 kg. per sq. cm.

### INSTRUCTIONS FOR ORDERS

All fittings are illustrated, while placing order, please be sure to give us figure of your requirement. In case of reducing items please mention the bigger size etc.

Specification of castings of Black Heart Malleable Iron Galvanised Pipe Fittings according to IS:14329/1995

### CHEMICAL COMPOSITION

Carbon 2.1% to 2.4%  
Sillicon .9% to 1.1%  
Maganese .3% to .4%  
Sulphur .06% to .1%  
Phosphorous According to Grade

### BRINELL HANDNESS

150 - 160 BHN

### TENSILE TEST

300 Mpa to 350 Mpa

### ELONGATION

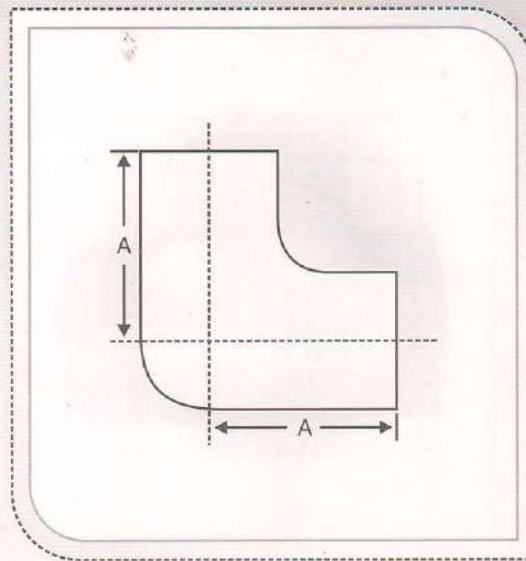
6 to 12%





# MALLEABLE PIPE FITTINGS

## ELBOW

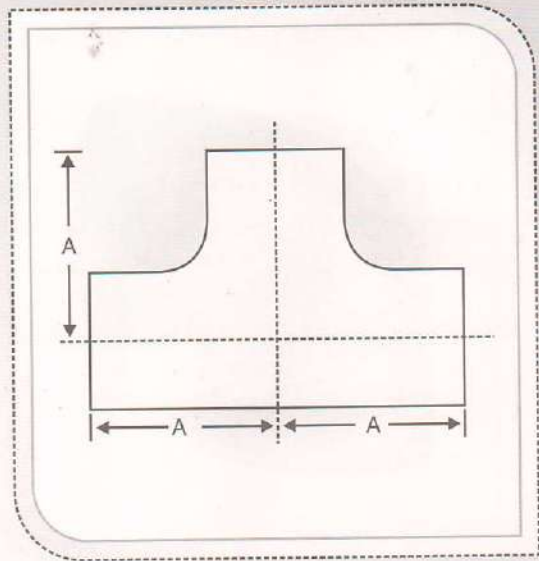


NOMINAL SIZE IN Inches	NOMINAL SIZE IN mm	A mm	D mm
1/2	15	29	30
3/4	20	34	34
1	25	39	41
1¼	32	46	50
1½	40	50	56
2	50	59	70
2½	65	70	86
3	80	79	99
4	100	97	126
5	125	116	162
6	150	132	185



# C MALLEABLE PIPE FITTINGS

## TEE



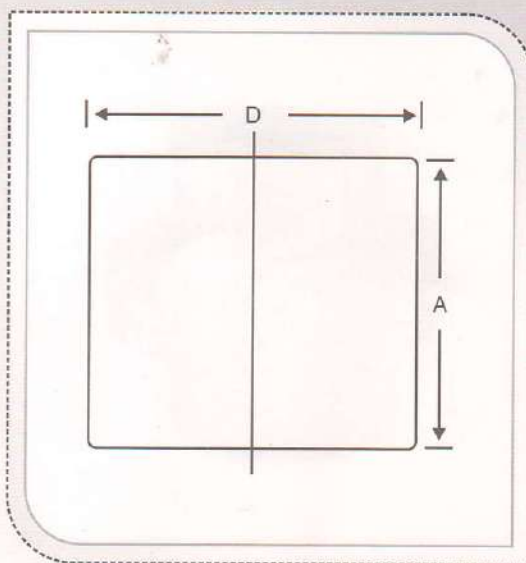
NOMINAL SIZE IN Inches	NOMINAL SIZE IN mm	A mm	D mm
1/2	15	29	29
3/4	20	34	34
1	25	39	41
1¼	32	46	50
1½	40	50	56
2	50	59	70
2½	65	70	86
3	80	79	99
4	100	97	126
5	125	116	162
6	150	132	185





# MALLEABLE PIPE FITTINGS

## SOCKET



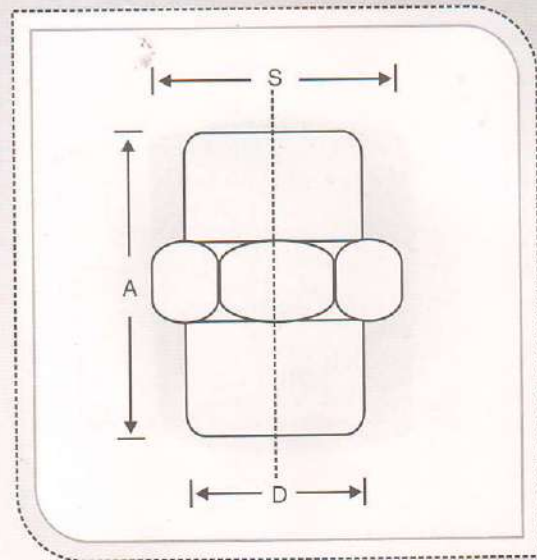
NOMINAL SIZE IN Inches	NOMINAL SIZE IN mm	A mm	D mm
1/2	15	36	29
3/4	20	39	34
1	25	45	41
1 1/4	32	50	50
1 1/2	40	55	56
2	50	65	70
2 1/2	65	74	86
3	80	80	99
4	100	94	126
5	125	110	158
6	150	121	184





# MALLEABLE PIPE FITTINGS

## UNION



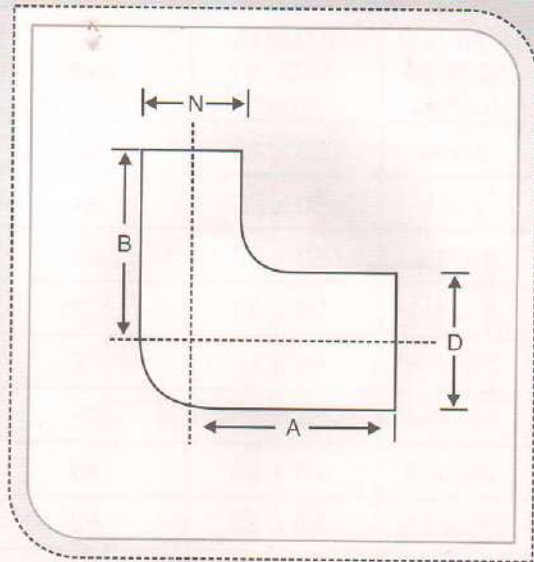
NOMINAL SIZE IN Inches	NOMINAL SIZE IN mm	A mm	D mm	S mm
1/2	15	49	28	45
3/4	20	52	34	50
1	25	58	41	55
1 1/4	32	66	50	71
1 1/2	40	70	56	75
2	50	79	70	92
2 1/2	65	86	86	115
3	80	96	99	132
4	100	111	126	155
5	125	135	155	187
6	150	152	182	217





# C MALLEABLE PIPE FITTINGS

## ELBOW REDUCING



NOMINAL SIZE IN Inches	NOMINAL SIZE IN mm	A mm	B mm	D mm	N mm
3/4 x 1/2	20 x 15	30	31	35	29
1 x 1/2	25 x 15	32	34	41	29
1 x 3/4	25 x 20	35	36	41	34
1 1/4 x 1 1/2	32 x 15	36	41	51	29
1 1/4 x 3/4	32 x 20	40	42	51	35
1 1/4 x 1	32 x 25	40	42	51	41
1 1/2 x 1/2	40 x 15	36	42	56	28
1 1/2 x 3/4	40 x 20	39	44	56	35
1 1/2 x 1	40 x 25	42	46	56	41
1 1/2 x 1/4	40 x 32	46	48	56	50
2 x 1/2	50 x 15	38	48	70	28





# MALLEABLE PIPE FITTINGS

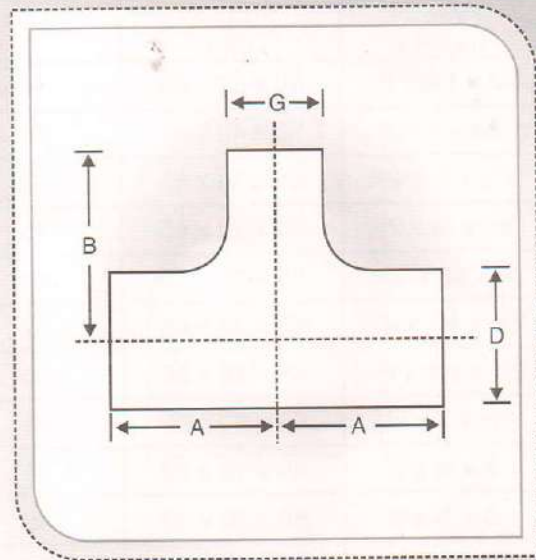
## ELBOW REDUCING

NOMINAL SIZE IN Inches	NOMINAL SIZE IN mm	A mm	B mm	D mm	N mm
2 x ¾	50 x 20	41	50	70	35
2 x 1	50 x 25	44	52	70	41
2 x 1¼	50 x 32	48	54	70	50
2 x 1½	50 x 40	52	55	70	56
2½ x ½	65 x 15	42	58	86	28
2½ x ¾	65 x 20	45	59	86	35
2½ x 1	65 x 25	48	60	86	41
2½ x 1¼	65 x 32	52	62	86	51
2½ x 1½	65 x 40	55	63	86	57
2½ x 2	65 x 50	61	66	86	70
3 x 2	80 x 20	64	73	100	70
3 x 2½	80 x 65	72	76	100	86
4 x 2	100 x 50	70	86	125	71
4 x 3	100 x 80	84	92	125	100



# C MALLEABLE PIPE FITTINGS

## TEE REDUCING



NOMINAL SIZE IN Inches	NOMINAL SIZE IN mm	A mm	B mm	D mm	G mm
3/4 x 1/2 x 3/4	20 x 15 x 20	30	31	34	29
1 x 1/2 x 1	25 x 15 x 25	33	35	41	29
1 x 3/4 x 1	25 x 20 x 25	35	36	41	34
1 1/4 x 1 1/2 x 1 1/4	32 x 15 x 32	34	38	50	29
1 1/4 x 3/4 x 1 1/4	32 x 20 x 32	36	41	50	35
1 1/4 x 1 x 1 1/4	32 x 25 x 32	40	42	50	41
1 1/2 x 1/2 x 1 1/2	40 x 15 x 40	36	42	56	29
1 1/2 x 3/4 x 1 1/2	40 x 20 x 40	38	45	56	35
1 1/2 x 1 x 1 1/2	40 x 25 x 40	42	46	56	41
1 1/2 x 1/4 x 1 1/2	40 x 32 x 40	46	48	56	51
2 x 1/2 x 2	50 x 15 x 50	38	48	70	29
2 x 3/4 x 2	50 x 20 x 50	40	50	70	35
2 x 1 x 2	50 x 25 x 50	44	52	70	41





# MALLEABLE PIPE FITTINGS

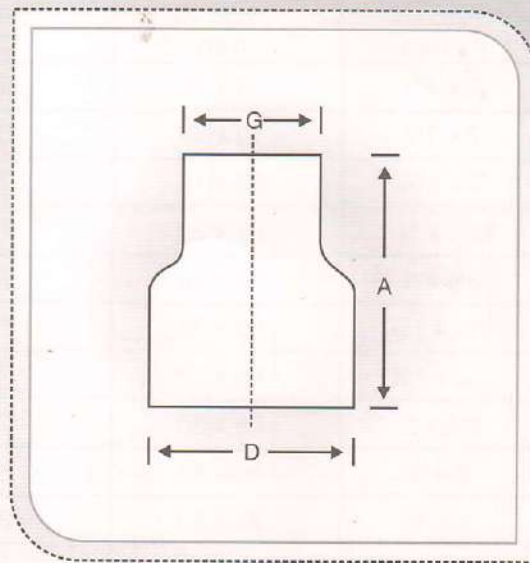
## TEE REDUCING

NOMINAL SIZE IN Inches	NOMINAL SIZE IN mm	A mm	B mm	D mm	G mm
2 x 1¼ x 2	50 x 32 x 50	48	54	70	50
2 x 1½ x 2	50 x 40 x 50	52	55	70	56
2½ x ½ x 2½	65 x 15 x 65	43	59	86	29
2½ x ¾ x 2½	65 x 20 x 65	45	60	86	35
2½ x 1 x 2½	65 x 25 x 65	48	61	86	41
2½ x 1¼ x 2½	65 x 32 x 65	52	62	86	50
2½ x 1½ x 2½	65 x 40 x 65	55	63	86	56
2½ x 2 x 2½	65 x 50 x 65	61	67	86	70
3 x ½ x 3	80 x 15 x 80	45	67	100	29
3 x ¾ x 3	80 x 20 x 80	49	67	100	34
3 x 1 x 3	80 x 25 x 80	51	67	100	41
3 x 1¼ x 3	80 x 32 x 80	55	70	100	50
3 x 1½ x 3	80 x 40 x 80	58	71	100	56
3 x 2 x 3	80 x 50 x 80	64	73	100	70
3 x 2½ x 3	80 x 65 x 80	72	76	100	86
4 x ½ x 4	100 x 15 x 100	51	79	126	29
4 x ¾ x 4	100 x 20 x 100	54	80	126	35
4 x 1 x 4	100 x 25 x 100	57	81	126	42
4 x 1¼ x 4	100 x 32 x 100	61	85	126	51
4 x 1½ x 4	100 x 40 x 100	65	87	126	56
4 x 2 x 4	100 x 50 x 100	71	88	126	71
4 x 2½ x 4	100 x 65 x 100	79	92	126	86
4 x 3 x 4	100 x 80 x 100	84	93	126	100



# C MALLEABLE PIPE FITTINGS

## SOCKET REDUCING



NOMINAL SIZE IN Inches	NOMINAL SIZE IN mm	A mm	D mm	G mm
3/4 x 1/2	20 x 15	39	35	29
1 x 1/2	25 x 15	45	41	29
1 x 3/4	25 x 20	46	41	29
1 1/4 x 1 1/2	32 x 15	50	51	29
1 1/4 x 3/4	32 x 20	50	51	35
1 1/4 x 1	32 x 25	50	51	41
1 1/2 x 1/2	40 x 15	55	56	28
1 1/2 x 3/4	40 x 20	55	56	35
1 1/2 x 1	40 x 25	55	56	41
1 1/2 x 1/4	40 x 32	55	56	50
2 x 1/2	50 x 15	66	70	29
2 x 3/4	50 x 20	66	70	35
2 x 1	50 x 25	66	70	41



# MALLEABLE PIPE FITTINGS

## SOCKET REDUCING

NOMINAL SIZE IN Inches	NOMINAL SIZE IN mm	A mm	D mm	G mm
2 x 1¼	50 x 32	66	70	50
2 x 1½	50 x 40	66	70	56
2½ x ½	65 x 15	74	86	29
2½ x ¾	65 x 20	74	86	35
2½ x 1	65 x 25	74	86	42
2½ x 1¼	65 x 32	74	86	51
2½ x 1½	65 x 40	74	86	57
2½ x 2	65 x 50	74	86	70
3 x ½	80 x 15	80	100	29
3 x ¾	80 x 20	80	100	35
3 x 1	80 x 25	80	100	41
3 x 1¼	80 x 32	80	100	51
3 x 1½	80 x 40	80	100	57
3 x 2	80 x 50	80	100	70
3 x 2½	80 x 65	80	100	86
4 x ½	100 x 15	94	126	29
4 x ¾	100 x 20	94	126	35
4 x 1	100 x 25	94	126	41
4 x 1¼	100 x 32	94	126	51
4 x 1½	100 x 40	94	126	56
4 x 2	100 x 50	94	126	71
4 x 2½	100 x 65	94	126	86
4 x 3	100 x 80	94	126	100

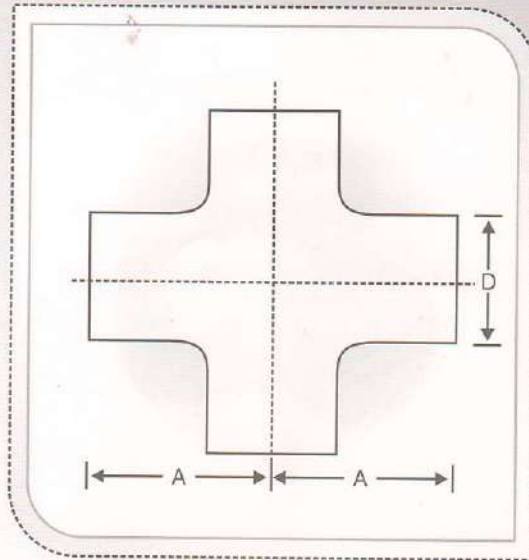
5" & 6" reducer sizes are also available





# MALLEABLE PIPE FITTINGS

## CROSS

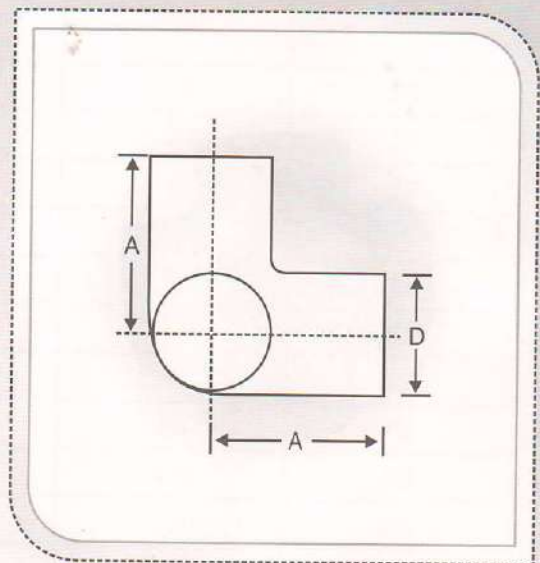


NOMINAL SIZE IN Inches	NOMINAL SIZE IN mm	A mm	D mm
1/2	15	29	29
3/4	20	34	34
1	25	39	41
1 1/4	32	46	50
1 1/2	40	51	56
2	50	59	70
2 1/2	65	70	86
3	80	79	99



# C MALLEABLE PIPE FITTINGS

## THREE WAY ELBOW



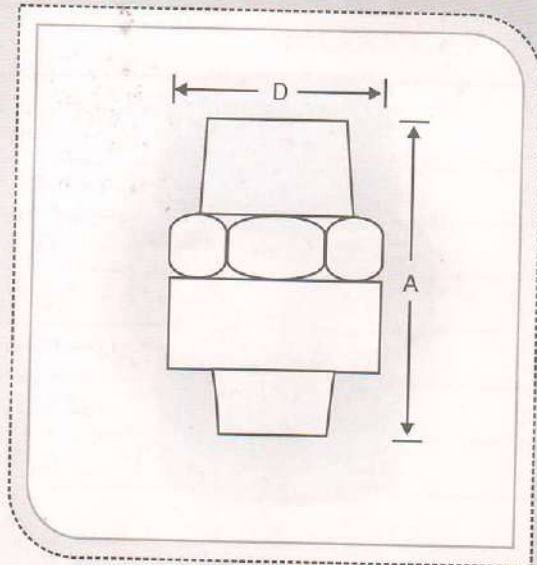
NOMINAL SIZE IN Inches	NOMINAL SIZE IN mm	A mm	D mm
1/2	15	29	30
3/4	20	34	34
1	25	39	41
1 1/4	32	46	50
1 1/2	40	51	56
2	50	59	70





# C MALLEABLE PIPE FITTINGS

## TANK NIPPLE



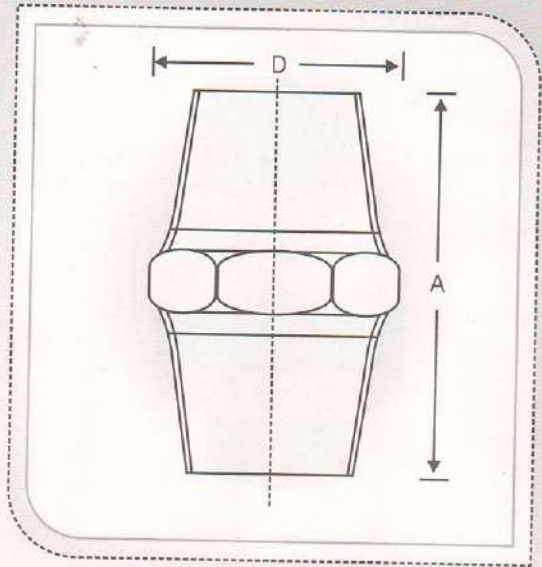
NOMINAL SIZE IN Inches	NOMINAL SIZE IN mm	A mm	D mm
1/2	15	67	35
3/4	20	69	40
1	25	83	52
1 1/4	32	92	60
1 1/2	40	100	66
2	50	108	84





# MALLEABLE PIPE FITTINGS

## HEX NIPPLE



NOMINAL SIZE IN Inches	NOMINAL SIZE IN mm	A mm	D mm
1/2	15	45	31
3/4	20	48	35
1	25	54	45
1 1/4	32	58	57
1 1/2	40	60	64
2	50	69	81
2 1/2	65	76	97
3	80	84	110
4	100	96	147



# **C** MALLEABLE PIPE FITTINGS

## TOLERANCES

DIMENSION		TOLERANCES
(A) Above mm	(B) Upto and including mm	mm
--	30	±1.5
30	50	±2.0
50	75	±2.5
75	100	±3.0
100	150	±3.5
150	200	±4.0
200	.....	±5.0

(A) Centre to face dimension applies to Elbows, Tee etc.  
 (B) Face to face dimension applies to Sockets, Union etc.

## WALL THICKNESS AND TOLERANCE

Size Designation in mm Size Designation in inch	15 ½	20 ¾	25 1	32 1¼	40 1½	50 2	65 2½	80 3	100 4	125 5	150 6
Thickness in mm	2.5	3.0	3.0	3.5	3.5	4.0	4.5	5.0	6.0	6.5	7.5
Tolerance in mm	-0.5	-0.7	-0.7	-0.7	-0.7	-0.7	-1.0	-1.0	-1.0	-1.0	-1.0





**MALLEABLE  
PIPE FITTINGS**

**IS:1879**



**MARKED**

**CRESCENT ENGINEERING CORPN.**

**G.T. ROAD, BY-PASS, NEAR PATHANKOT CHOWK,  
JALANDHAR - 144 012 (INDIA)**